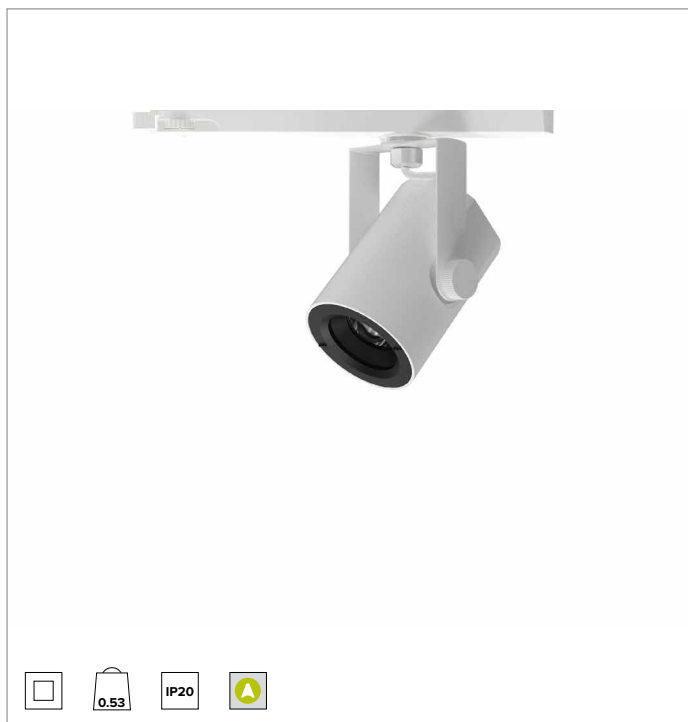
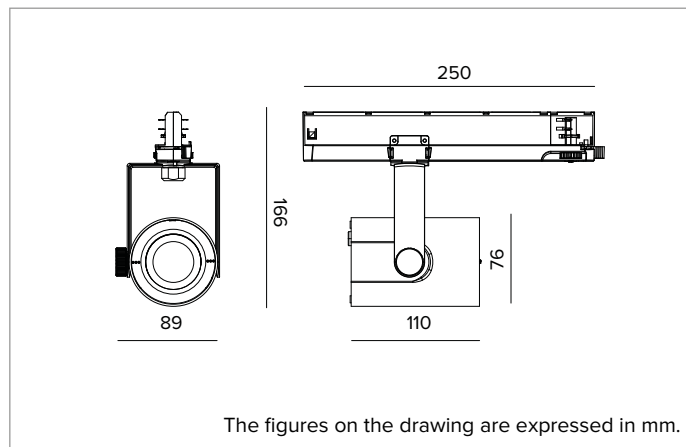


T036DBS940CAPW | RAY 75 ZOOM

Professional adjustable LED projector with a variable light beam opening



The fixture's photometric values can be found on the following pages



SOURCE

High efficiency Chip on Board LED Ra90. Ra97 on request.

Energy efficiency class: F

Nominal power: 9,3W

Nominal flux: 882lm

Colour rendering index: 90

Rf: 90

Rg: 98

CCT nominal: 4000K

Lifetime (L80/B10): >50000h tq +25°C

ILLUMINOTECHNICAL CHARACTERISTICS

ZOOM DBS (Dynamic Beam Shaper) version: for a controlled zoom effect with CASAMBI. Anodised reflective aluminium reflector optic, a liquid crystal lens, holographic diffusing filter.

Optic: LENS

Beam angles: SP-FL

Optical efficiency: See photometries

Fixture flux: See photometries

Luminous efficacy: See photometries

Photobiological safety: Compliant with RG1 low risk group

MECHANICAL CHARACTERISTICS

Painted die-cast aluminium body. Black painted polycarbonate front ring. Adjustable from 0° to -90° on the vertical plane and 359° on the horizontal plane. Mechanical beam locking system on the vertical plane and friction beam locking system on the horizontal plane. The centre of gravity always remains in axis with the track regardless of the aiming.

Colour and finish: Plaster white

Dimensions: 75

Weight: 0.53Kg

Version: ZOOM DBS

Degree of protection: IP20

ELECTRICAL CHARACTERISTICS

CASAMBI electronic driver integrated into the track adapter.

Fixture Power: 11W

Power supply: 220-240Vac 50/60Hz

Insulation Class: CLASS 2

Type of driver / Control: CASAMBI

Driver included: YES

Class F: YES

Ambient temperature: 0°C / +25°C

INSTALLATION

Electrified track mounting.

NOTES

110-277Vac version available on request. Commissioning of the control system via free APP; the intervention of a specialist technician can be quoted on request.

WARRANTY

5 years.

WARNING

Luminaire designed for disposal/recycling at end-of-life. Replaceable (LED only) light source by a professional. Replaceable control gear by a professional.

Due to the technological evolution of the electronic components, the data provided may be updated, and as such, confirmation must be requested during the order process.

Luminous flux and power supply have +/-10% tolerances with respect to the indicated value. tq +25°C (CIE 121).

We reserve the right to make technical changes.

Targetti Sankey S.r.l.
Via Pratese, 164
50145 Firenze - Italy
Tel: +39 055 37911
targetti.com
targetti@targetti.com

CCIAA Firenze
Share Capital:
€ 500.000,00
VAT N. (IT):
01537660480
R.E.A.: FI-275656

TARGETTI

T036DBS940CAPW | RAY 75 ZOOM
Professional adjustable LED projector with a variable light beam opening

	4000K	H(m)	D(m)	Emax(lx)		
	Ra90		17°			
Fixture Power	11W	1	0.30	4157		
Source Flux	882lm	2	0.59	1039		
Fixture Flux	641lm	3	0.89	462		
Efficacy	60lm/W	4	1.19	260		
TS1929	I _{max} =4714cd/klm	I _{max}	4157cd	5	1.49	166

	4000K	H(m)	D(m)	Emax(lx)		
	Ra90		40°			
Fixture Power	11W	1	0.72	942		
Source Flux	882lm	2	1.45	236		
Fixture Flux	593lm	3	2.17	105		
Efficacy	55lm/W	4	2.89	59		
TS1928	I _{max} =1068cd/klm	I _{max}	942cd	5	3.61	38

SP

Fixture flux 641lm
 Luminous efficacy 60lm/W
 Optical efficiency 73%

FL

Fixture flux 593lm
 Luminous efficacy 55lm/W
 Optical efficiency 67%

Due to the technological evolution of the electronic components, the data provided may be updated, and as such, confirmation must be requested during the order process.
 Luminous flux and power supply have +/-10% tolerances with respect to the indicated value. tq +25°C (CIE 121).

Targetti Sankey S.r.l.
 Via Pratese, 164
 50145 Firenze - Italy
 Tel: +39 055 37911
 targetti.com
 targetti@targetti.com

CCIAA Firenze
 Share Capital:
 € 500.000,00
 VAT N. (IT):
 01537660480
 R.E.A.: FI-275656



We reserve the right to make technical changes.